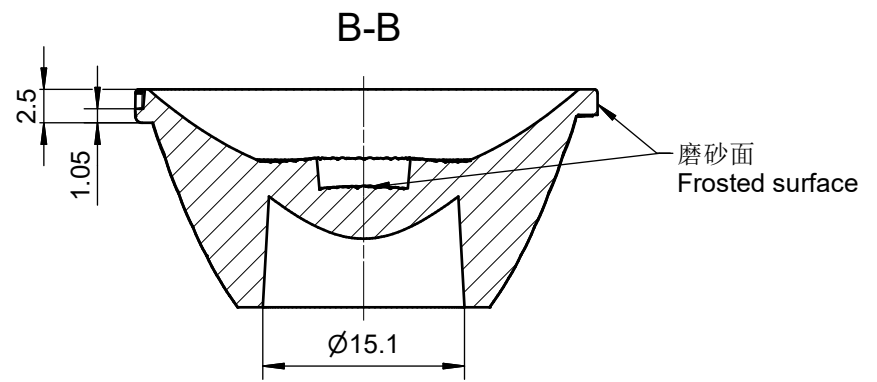
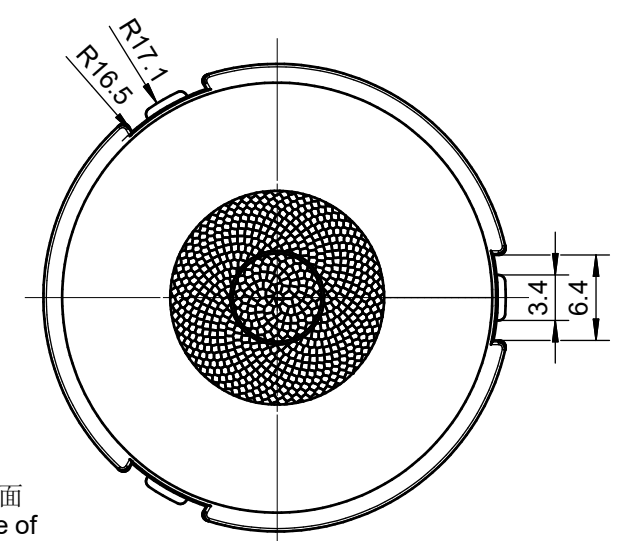
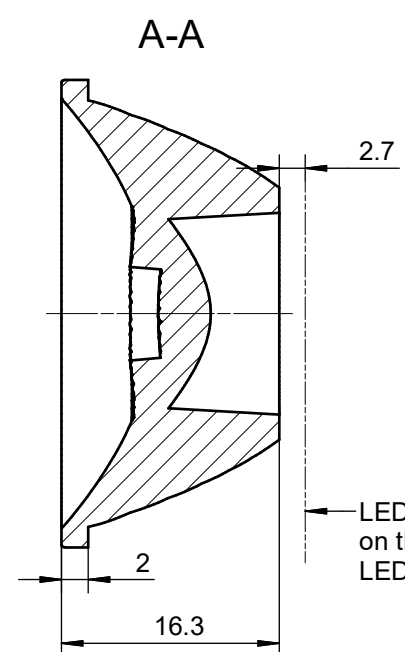
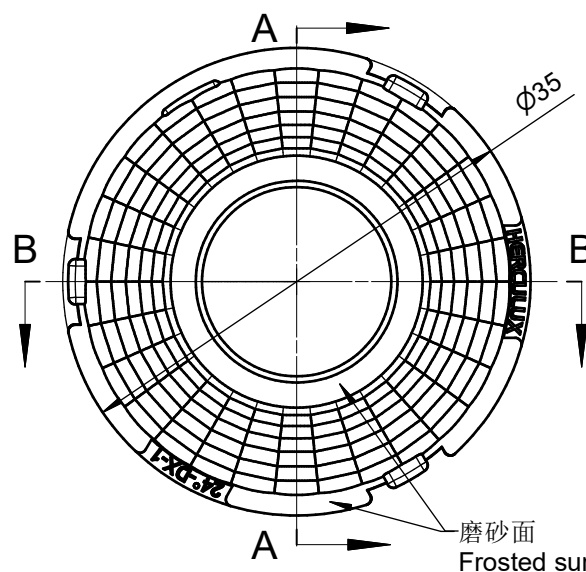


技术要求:
 1、未注圆角及拔模斜度按3D图。
 2、未注尺寸公差按右表。
 3、表面无飞边, 缩水, 气泡等缺陷。
 *4、灯具采用胶圈防水时: 要求散热器与胶圈的接触面的粗糙度: Ra<3.2μm

Technical remark:
 1. Fillet and inclination not indicated according to 3D drawing.
 2. Dimensional tolerances not indicated are shown in the right list.
 3. The surface has no flash, shrinkage, bubbles and other defects.
 *4. When the lamp adopts rubber ring for waterproofing: the roughness of the contact surface between the radiator and the rubber ring is required: Ra<3.2μm

基本尺寸	公差值
Basic size	Tolerance value
<3	±0.1
3~10	±0.15
10~24	±0.20
24~65	±0.35
65~140	±0.50
140~250	±0.80
250~450	±1.2
>450	±2.0

序号	更改标记	更改内容	更改日期	签名	序号	更改标记	更改内容	更改日期	签名
Item	Change mark	Change content	Change date	Signature	Item	Change mark	Change content	Change date	Signature
2					4				
1					3				
Title:				Drawing No.		HK-DX-35@16-15-D6-21-1g-1			
HK 低眩35@16-15度透镜				Part No.		1.01.02556			
HK Glareless 35@16-15° lens				Material:		PC			
材料				PC		CDHK			



技术要求:

- 1、未注圆角及拔模斜度按3D图。
- 2、未注尺寸公差按右表。
- 3、表面无飞边，缩水，气泡等缺陷。
- *4、灯具采用胶圈防水时：要求散热器与胶圈的接触面的粗糙度：Ra<3.2μm

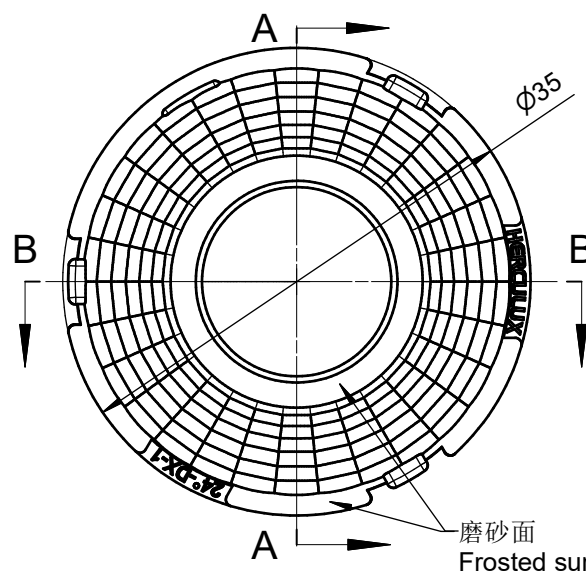
Technical remark:

- 1.Fillet and inclination not indicated according to 3D drawing.
2. Dimensional tolerances not indicated are shown in the right list.
3. The surface has no flash, shrinkage, bubbles and other defects.
- *4. When the lamp adopts rubber ring for waterproofing: the roughness of the contact surface between the radiator and the rubber ring is required: Ra<3.2μm

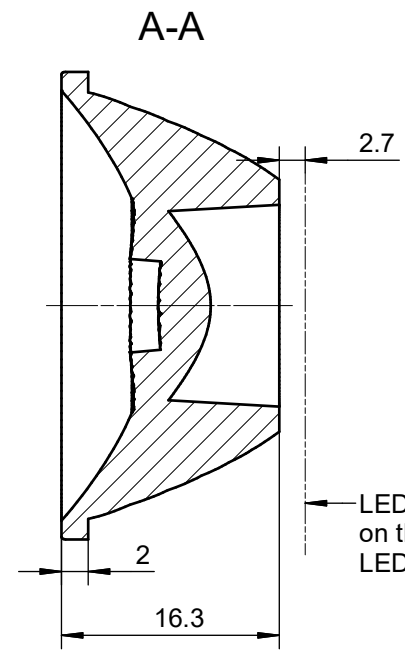
基本尺寸	公差值
Basic size	Tolerance value
<3	±0.1
3~10	±0.15
10~24	±0.20
24~65	±0.35
65~140	±0.50
140~250	±0.80
250~450	±1.2
>450	±2.0

序号	更改标记	更改内容	更改日期	签名	序号	更改标记	更改内容	更改日期	签名
Item	Change mark	Change content	Change date	Signature	Item	Change mark	Change content	Change date	Signature
2					4				
1					3				
光学设计 Optical design					Title:				
结构设计 Structural design					HK 低眩35@16-24度透镜 HK Glareless 35@16-24° lens				
审核 Verify					Drawing No. HK-DX-35@16-24-D6-21-1g-1_PMMA				
审定 Approval					Part No. 1.01.02561_PMMA				
材料 Material:					PMMA				
					CDHK				

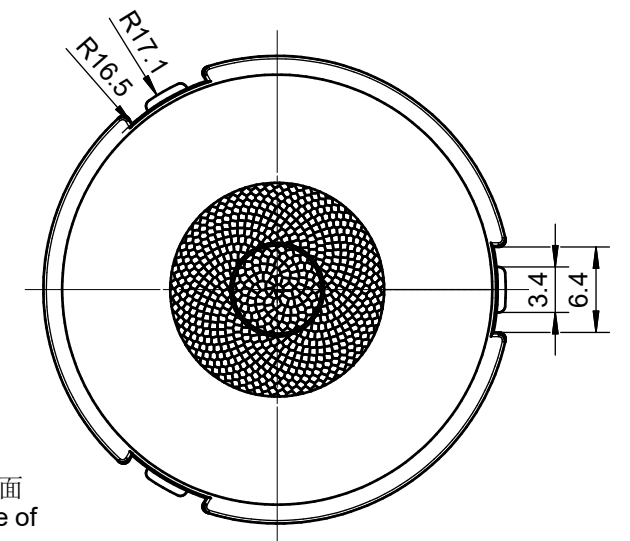
6 5 4 3 2 1



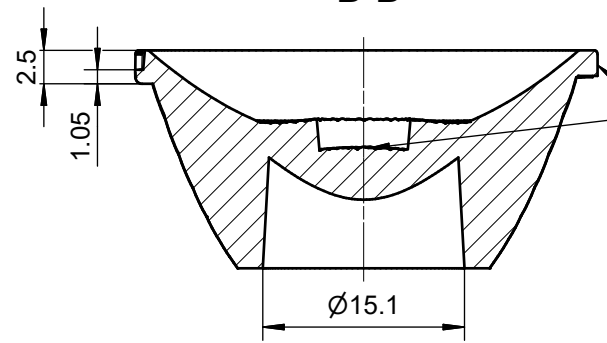
磨砂面
Frosted surface



LED基板上表面
on the surface of
LED substrate



B-B



磨砂面
Frosted surface

技术要求:
1、未注圆角及拔模斜度按3D图。
2、未注尺寸公差按右表。
3、表面无飞边, 缩水, 气泡等缺陷。
*4、灯具采用胶圈防水时: 要求散热器与胶圈的接触面的粗糙度: Ra<3.2μm

Technical remark:
1.Fillet and inclination not indicated according to 3D drawing.
2. Dimensional tolerances not indicated are shown in the right list.
3. The surface has no flash, shrinkage, bubbles and other defects.
*4. When the lamp adopts rubber ring for waterproofing: the roughness of the contact surface between the radiator and the rubber ring is required: Ra<3.2μm

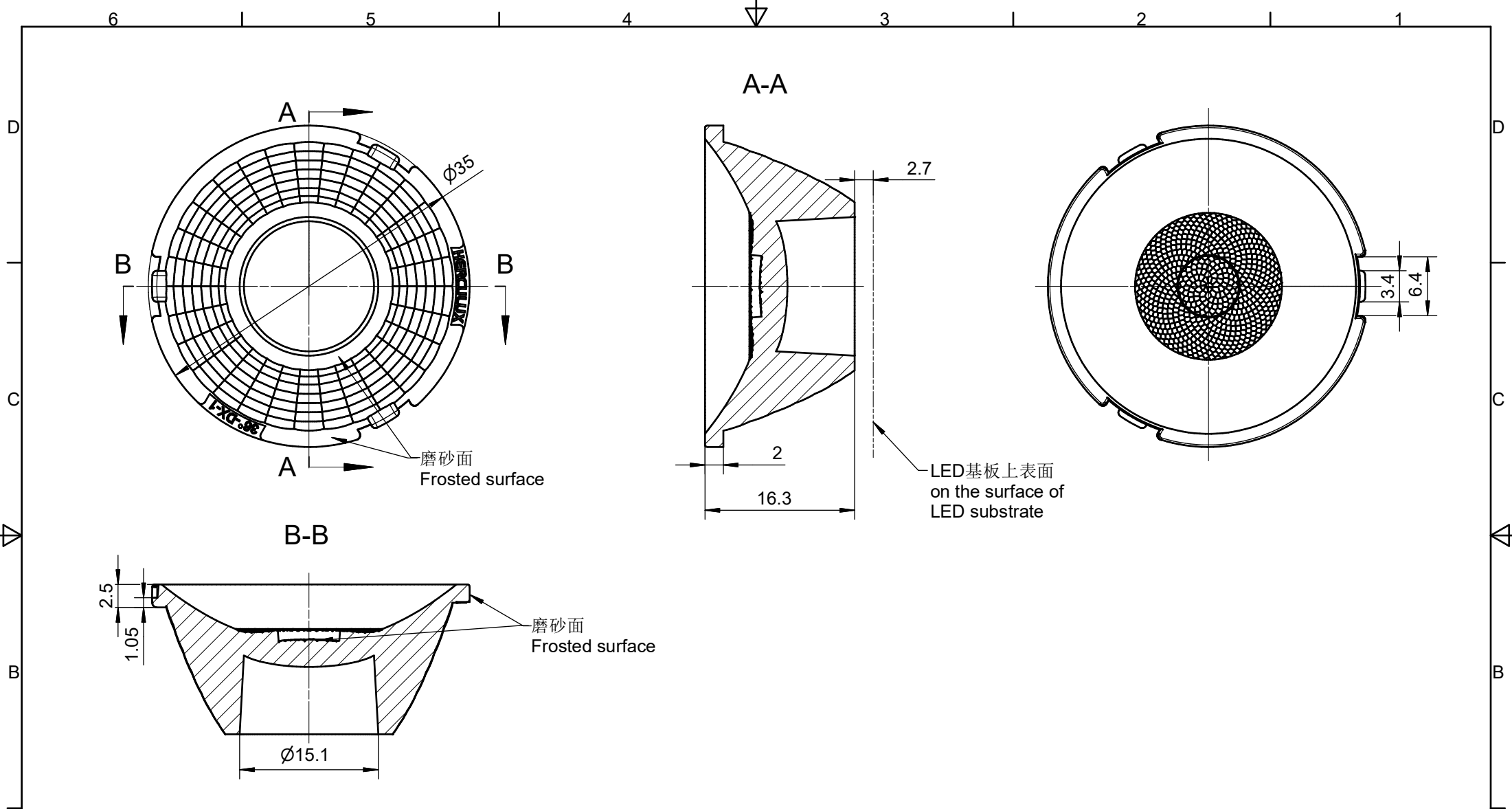
基本尺寸	公差值
Basic size	Tolerance value
<3	±0.1
3~10	±0.15
10~24	±0.20
24~65	±0.35
65~140	±0.50
140~250	±0.80
250~450	±1.2
>450	±2.0

序号	更改标记	更改内容	更改日期	签名	序号	更改标记	更改内容	更改日期	签名
Item	Change mark	Change content	Change date	Signature	Item	Change mark	Change content	Change date	Signature
2					4				
1					3				
光学设计 Optical design					Title:				
结构设计 Structural design					HK 低眩35@16-24度透镜 HK Glareless 35@16-24° lens				
审核 Verify					Drawing No.				
审定 Approval					HK-DX-35@16-24-D6-21-1g-1				
材料 Material:					Part No.				
					1.01.02561				
					CDHK				

D
C
B
A

D
C
B
A

6 5 4 3 2 1



技术要求:
 1、未注圆角及拔模斜度按3D图。
 2、未注尺寸公差按右表。
 3、表面无飞边, 缩水, 气泡等缺陷。

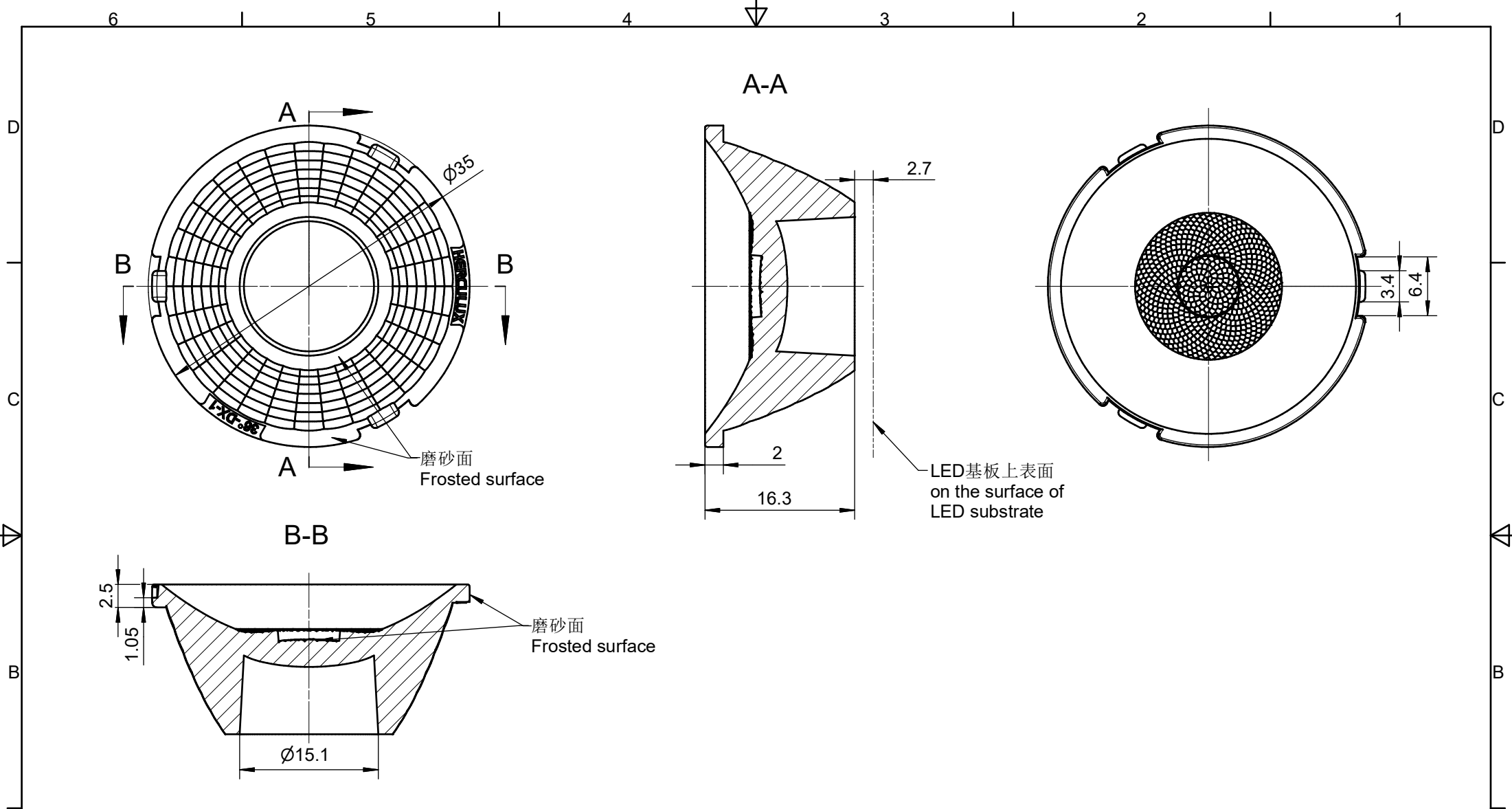
*4、灯具采用胶圈防水时: 要求散热器与胶圈的接触面的粗糙度: Ra<3.2μm

Technical remark:

- Fillet and inclination not indicated according to 3D drawing.
- Dimensional tolerances not indicated are shown in the right list.
- The surface has no flash, shrinkage, bubbles and other defects.
- When the lamp adopts rubber ring for waterproofing: the roughness of the contact surface between the radiator and the rubber ring is required: Ra<3.2μm

基本尺寸	公差值
Basic size	Tolerance value
<3	±0.1
3~10	±0.15
10~24	±0.20
24~65	±0.35
65~140	±0.50
140~250	±0.80
250~450	±1.2
>450	±2.0

序号	更改标记	更改内容	更改日期	签名	序号	更改标记	更改内容	更改日期	签名
Item	Change mark	Change content	Change date	Signature	Item	Change mark	Change content	Change date	Signature
2					4				
1					3				
光学设计 Optical design					Title:				
结构设计 Structural design					H HK 低眩35@16-36度透镜 HK Glareless 35@16-36° lens				
审核 Verify					Drawing No. HK-DX-35@16-36-D6-21-1g-1_PMMA				
审定 Approval					Part No. 1.01.02571_PMMA				
材料 Material:					PMMA CDHK				



技术要求:
1、未注圆角及拔模斜度按3D图。
2、未注尺寸公差按右表。
3、表面无飞边, 缩水, 气泡等缺陷。

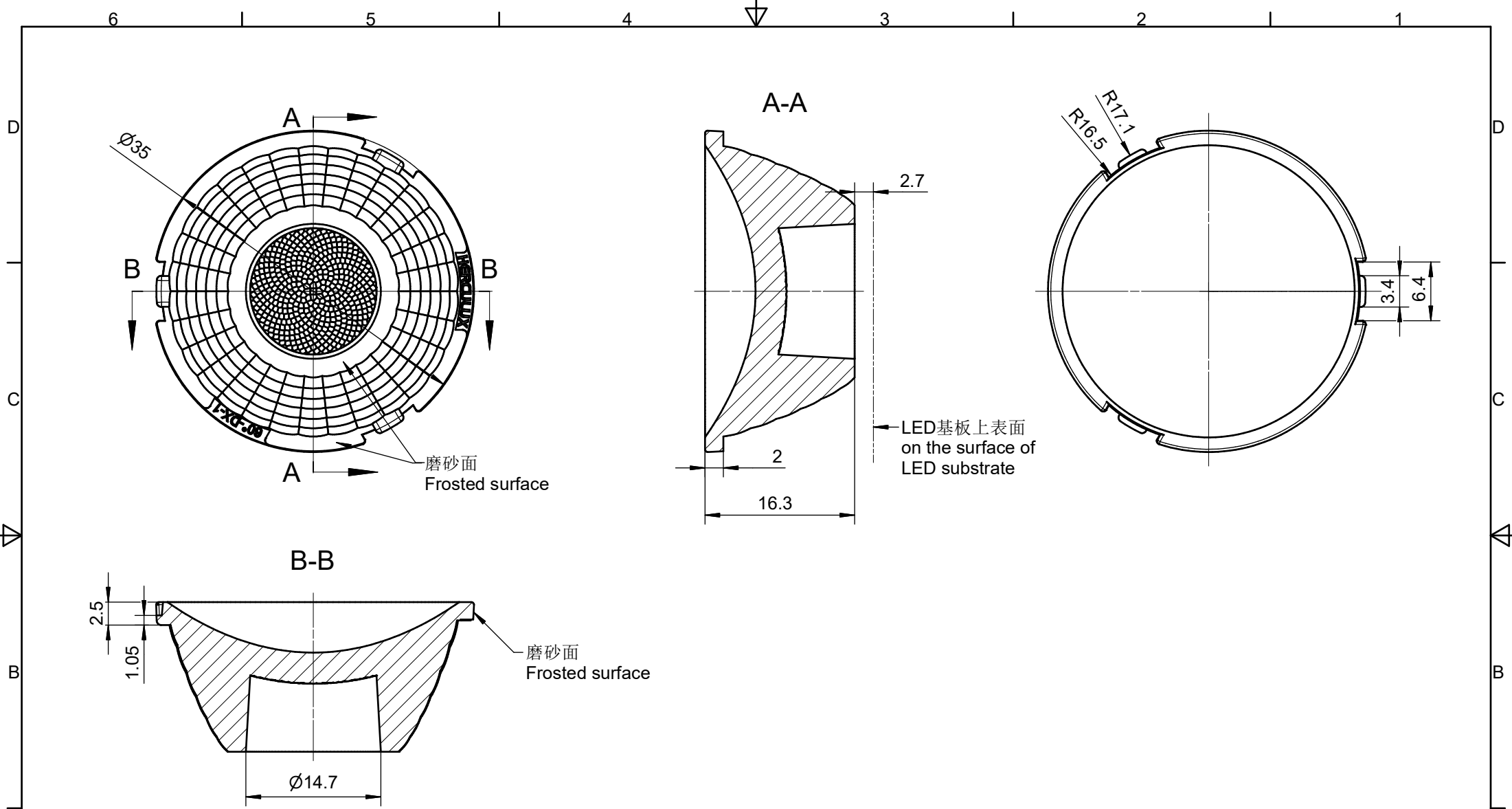
*4、灯具采用胶圈防水时: 要求散热器与胶圈的接触面的粗糙度: $Ra < 3.2\mu m$

Technical remark:

- Fillet and inclination not indicated according to 3D drawing.
- Dimensional tolerances not indicated are shown in the right list.
- The surface has no flash, shrinkage, bubbles and other defects.
- When the lamp adopts rubber ring for waterproofing: the roughness of the contact surface between the radiator and the rubber ring is required: $Ra < 3.2\mu m$

基本尺寸	公差值
Basic size	Tolerance value
< 3	± 0.1
3~10	± 0.15
10~24	± 0.20
24~65	± 0.35
65~140	± 0.50
140~250	± 0.80
250~450	± 1.2
> 450	± 2.0

序号	更改标记	更改内容	更改日期	签名	序号	更改标记	更改内容	更改日期	签名
Item	Change mark	Change content	Change date	Signature	Item	Change mark	Change content	Change date	Signature
2					4				
1					3				
光学设计 Optical design					Title:				
结构设计 Structural design					H HK 低眩35@16-36度透镜 HK Glareless 35@16-36° lens				
审核 Verify					Drawing No. HK-DX-35@16-36-D6-21-1g-1				
审定 Approval					Part No. 1.01.02571				
材料 Material:					PC CDHK				



技术要求:

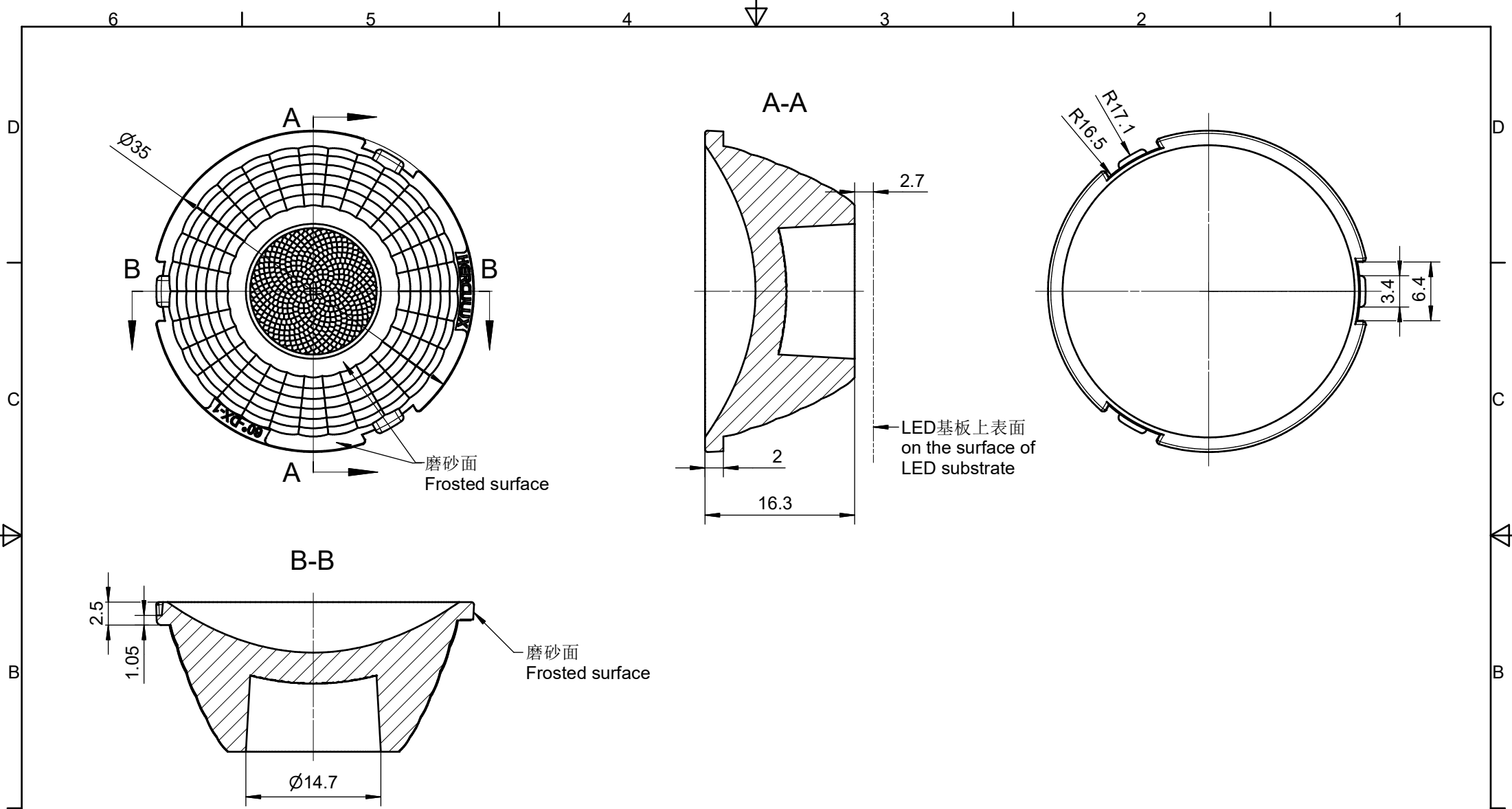
- 1、未注圆角及拔模斜度按3D图。
- 2、未注尺寸公差按右表。
- 3、表面无飞边，缩水，气泡等缺陷。
- *4、灯具采用胶圈防水时：要求散热器与胶圈的接触面的粗糙度：Ra<3.2 μ m

Technical remark:

- 1.Fillet and inclination not indicated according to 3D drawing.
2. Dimensional tolerances not indicated are shown in the right list.
3. The surface has no flash, shrinkage, bubbles and other defects.
- *4. When the lamp adopts rubber ring for waterproofing: the roughness of the contact surface between the radiator and the rubber ring is required: Ra<3.2 μ m

基本尺寸	公差值
Basic size	Tolerance value
<3	± 0.1
3~10	± 0.15
10~24	± 0.20
24~65	± 0.35
65~140	± 0.50
140~250	± 0.80
250~450	± 1.2
>450	± 2.0

序号	更改标记	更改内容	更改日期	签名	序号	更改标记	更改内容	更改日期	签名
Item	Change mark	Change content	Change date	Signature	Item	Change mark	Change content	Change date	Signature
2					4				
1					3				
光学设计					Title:				
结构设计					HK 低眩35@16-60度透镜				
审核					HK Glareless 35@16-60° lens				
审定					Drawing No.				
					HK-DX-35@16-60-D6-21-1g-1_PMMA				
					Part No.				
					1.01.12804_PMMA				
					CDHK				
材料					PMMA				



技术要求:

- 1、未注圆角及拔模斜度按3D图。
- 2、未注尺寸公差按右表。
- 3、表面无飞边，缩水，气泡等缺陷。
- *4、灯具采用胶圈防水时：要求散热器与胶圈的接触面的粗糙度：Ra<3.2 μ m

Technical remark:

- 1.Fillet and inclination not indicated according to 3D drawing.
2. Dimensional tolerances not indicated are shown in the right list.
3. The surface has no flash, shrinkage, bubbles and other defects.
- *4. When the lamp adopts rubber ring for waterproofing: the roughness of the contact surface between the radiator and the rubber ring is required: Ra<3.2 μ m

基本尺寸	公差值
Basic size	Tolerance value
<3	± 0.1
3~10	± 0.15
10~24	± 0.20
24~65	± 0.35
65~140	± 0.50
140~250	± 0.80
250~450	± 1.2
>450	± 2.0

序号	更改标记	更改内容	更改日期	签名	序号	更改标记	更改内容	更改日期	签名
Item	Change mark	Change content	Change date	Signature	Item	Change mark	Change content	Change date	Signature
2					4				
1					3				
光学设计					Title:				
结构设计					HK 低眩35@16-60度透镜				
审核					HK Glareless 35@16-60° lens				
审定					Drawing No.				
					HK-DX-35@16-60-D6-21-1g-1				
					Part No.				
					1.01.12804				
					CDHK				
					材料				
					PC				